

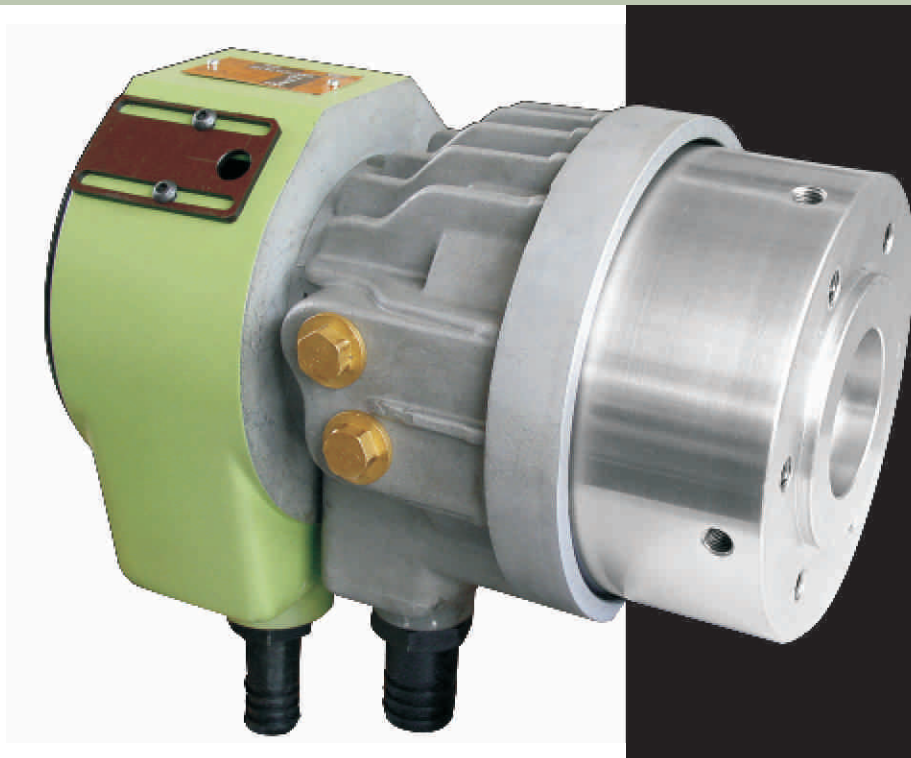


HOLLOW ROTARY HIGH SPEED HYDRAULIC CYLINDERS

with safety valve and stroke monitor

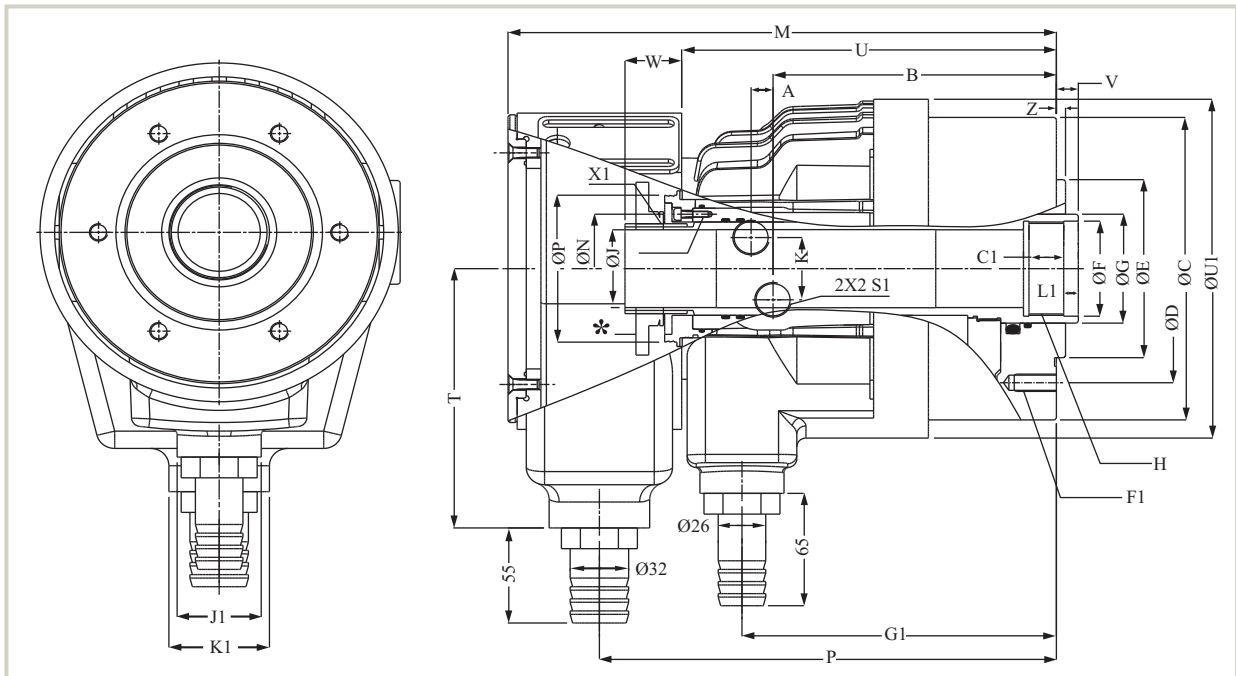
SHS

Sizes: Ø130mm and Ø154mm



FEATURES

- The GMT make Hollow Rotary High Speed Cylinders are designed for actuating the high speed chucks on CNC lathes.
- The design of the cylinder is such that the distributor shaft rotates on special ball bearings with controlled lubrication. The special bearings facilitate the cylinder to be started at very high speed.
- The GMT make Hollow Rotary High Speed Cylinders have safety valve which ensures that the chucking pressure is maintained in case of sudden drop in the hydraulic oil supply because of power failure or bursting of hydraulic hoses.
- The body of the GMT make Hollow Rotary High Speed Cylinder is made from aluminium alloy casting. The piston is made from medium carbon steel which is heat treated, chromium plated and ground.
- A coolant cover at the back of the cylinder collects the coolant, when the machine is in operation. The coolant is directed to flow through the hollow piston and expelled through a coolant outlet line by gravity.



DIMENSIONAL SPECIFICATIONS

TECHNICAL SPECIFICATIONS

All dimension are in mm

Model / Spec.	Ø130 SHS-221- 62	Ø154 SHS-221- 63
A	12	12
B	155	148
C	175	190
C1	30	30
D	132	170
E	103	130
E1	M4 x 0.7P	M6 x 1P
F	55	65
F1	6-M10 x 1.5P	12-M10 x 1.5P
G	63	75
G1	172	153
H	M54 x 1.5P	M64 x 1.5P
J	45	52
J1	46	46
K	36	36
K1	55	55
L1	8	8
M	300	291
N	63	71
P	250	236
S1	PT ½	PT ½
T	150	160
U	205	186
U1	196	210
V Max.	12	22
V Min.	-10	0
W Max.	53	54
W Min.	30	32
X1	M52 x 1.5P	M58 x 1.5P
Z	5	5

Model / Spec.	Ø130 SHS	Ø154 SHS
Piston Stroke (mm)	22	22
Max. speed r.p.m.	7000	6200
Piston Dia. (mm)	130	154
Oil Leakage Rate lts/min.	3	4
Max. pressure kgf/cm ² .	40	40
Piston Area cm ² .		
Push side	110	158
Pull side	102	142
Max. operating force		
Push side kgf	4400	6320
Pull side kgf	4080	5680
Weight (approx) kg.	15	23

* Sensing Arrangement (optional)
Item will be supplied on chargeable basis.

All specifications subject to change. We reserve the right to change product specifications as part of product improvement

GUINDY MACHINE TOOLS LIMITED

196, VELACHERY TAMBARAM MAIN ROAD, PALLIKARANAI, CHENNAI - 600 100, INDIA

Tel.: +91-44-22460627-29 22462213 22461103 Fax: +91-44-22460112

SalesDept.:Tel: +91-44-22460811 +91-44-22460812 Fax: +91-44-22469027

E-Mail:gmt@gmt.co.in Website:www.gmt.co.in